



36" (91.4 CM), 42" (106.7 CM) AND 48" (121.9 CM) DESIGNER COMMERCIAL-STYLE ISLAND-MOUNT CANOPY HOOD

Installation Instructions and Use & Care Guide

For questions about features, operation/performance, parts, accessories or service, call: **1-800-422-1230**
or visit our website at **www.kitchenaid.com**

In Canada, for assistance, installation and service, call: **1-800-807-6777**
or visit our website at **www.KitchenAid.ca**

HOTTE D'EXTRACTION STYLISÉE POUR APPLICATIONS COMMERCIALES DE 36" (91,4 CM), 42" (106,7 CM) ET 48" (121,9 CM) POUR CUISINE CONFIGURÉE EN ÎLOT

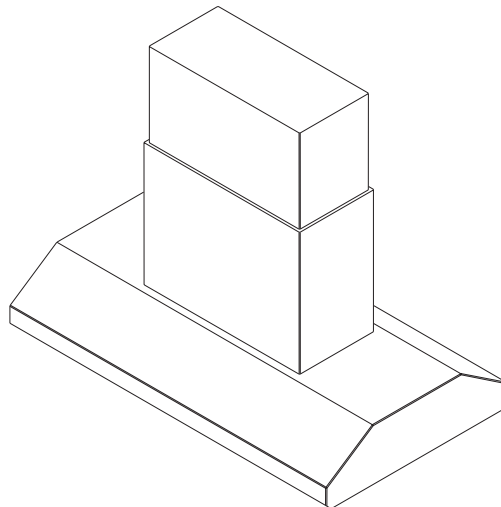
Instructions d'installation et Guide d'utilisation et d'entretien

Au Canada, pour assistance, installation ou service composez le **1-800-807-6777**
ou visitez notre site web à **www.KitchenAid.ca**

Para obtener acceso al manual de uso y cuidado en español, o para obtener información adicional acerca de su producto, visite: **www.kitchenaid.com**.

Tenga listo su número de modelo completo. Puede encontrar el número de modelo y de serie dentro de la cavidad superior de la puerta.

Table of Contents/Table des matières..... 2



**IMPORTANT: READ AND SAVE THESE INSTRUCTIONS.
FOR RESIDENTIAL USE ONLY.**
**IMPORTANT : LIRE ET CONSERVER CES INSTRUCTIONS.
POUR UTILISATION RÉSIDENIELLE UNIQUEMENT.**

TABLE OF CONTENTS

RANGE HOOD SAFETY2
INSTALLATION REQUIREMENTS4
 Tools and Parts4
 Location Requirements4
 Venting Requirements5
 Electrical Requirements6
INSTALLATION INSTRUCTIONS6
 Prepare Location6
 Complete Chimney Support Installation8
 Make Electrical Connection8
 Install Chimney Covers8
 Install Vented Range Hood9
 Complete Installation10
RANGE HOOD USE.....10
 Range Hood Controls10
RANGE HOOD CARE.....11
 Range Hood Lamps11
 Cleaning.....11
WIRING DIAGRAM12
ASSISTANCE OR SERVICE.....13
 In the U.S.A.13
 In Canada13
 Accessories13
WARRANTY14

TABLE DES MATIÈRES

SÉCURITÉ DE LA HOTTE DE CUISINIÈRE15
EXIGENCES D'INSTALLATION17
 Outillage et pièces17
 Exigences d'emplacement17
 Exigences concernant l'évacuation18
 Spécifications électriques19
INSTRUCTIONS D'INSTALLATION.....20
 Préparation de l'emplacement20
 Support de cheminée - achèvement de l'installation21
 Raccordement électrique21
 Installation des cache-cheminée22
 Installation de la hotte23
 Achiver l'installation23
UTILISATION DE LA HOTTE DE CUISINIÈRE24
 Commandes de la hotte de cuisinière24
ENTRETIEN DE LA HOTTE DE CUISINIÈRE25
 Lampes de la hotte de cuisinière25
 Nettoyage25
SCHÉMA DE CÂBLAGE.....26
ASSISTANCE OU SERVICE27
 Accessoires27
GARANTIE.....28

RANGE HOOD SAFETY

Your safety and the safety of others are very important.

We have provided many important safety messages in this manual and on your appliance. Always read and obey all safety messages.



This is the safety alert symbol.

This symbol alerts you to potential hazards that can kill or hurt you and others.

All safety messages will follow the safety alert symbol and either the word "DANGER" or "WARNING."

These words mean:

⚠ DANGER

You can be killed or seriously injured if you don't immediately follow instructions.

⚠ WARNING

You can be killed or seriously injured if you don't follow instructions.

All safety messages will tell you what the potential hazard is, tell you how to reduce the chance of injury, and tell you what can happen if the instructions are not followed.

IMPORTANT SAFETY INSTRUCTIONS

WARNING: TO REDUCE THE RISK OF FIRE, ELECTRIC SHOCK, OR INJURY TO PERSONS, OBSERVE THE FOLLOWING:

- Use this unit only in the manner intended by the manufacturer. If you have questions, contact the manufacturer.
- Before servicing or cleaning the unit, switch power off at service panel and lock the service disconnecting means to prevent power from being switched on accidentally. When the service disconnecting means cannot be locked, securely fasten a prominent warning device, such as a tag, to the service panel.
- Installation work and electrical wiring must be done by qualified person(s) in accordance with all applicable codes and standards, including fire-rated construction.
- Sufficient air is needed for proper combustion and exhausting of gases through the flue (chimney) of fuel burning equipment to prevent backdrafting. Follow the heating equipment manufacturer's guideline and safety standards such as those published by the National Fire Protection Association (NFPA), the American Society for Heating, Refrigeration and Air Conditioning Engineers (ASHRAE), and the local code authorities.
- When cutting or drilling into wall or ceiling; do not damage electrical wiring and other utilities.
- Ducted fans must always be vented outdoors.

CAUTION: For general ventilating use only. Do not use to exhaust hazardous or explosive materials and vapors.

CAUTION: To reduce risk of fire and to properly exhaust air, be sure to duct air outside - do not vent exhaust air into spaces within walls or ceilings, attics or into crawl spaces, or garages.

WARNING: TO REDUCE THE RISK OF FIRE, USE ONLY METAL DUCTWORK.

WARNING: TO REDUCE THE RISK OF A RANGE TOP GREASE FIRE:

- Never leave surface units unattended at high settings. Boilovers cause smoking and greasy spillovers that may ignite. Heat oils slowly on low or medium settings.
- Always turn hood ON when cooking at high heat or when flambeing food (i.e. Crepes Suzette, Cherries Jubilee, Peppercorn Beef Flambé).
- Clean ventilating fans frequently. Grease should not be allowed to accumulate on fan or filter.
- Use proper pan size. Always use cookware appropriate for the size of the surface element.

WARNING: TO REDUCE THE RISK OF INJURY TO PERSONS IN THE EVENT OF A RANGE TOP GREASE FIRE, OBSERVE THE FOLLOWING:^a

- SMOTHER FLAMES with a close fitting lid, cookie sheet, or metal tray, then turn off the burner. BE CAREFUL TO PREVENT BURNS. If the flames do not go out immediately, EVACUATE AND CALL THE FIRE DEPARTMENT.
- NEVER PICK UP A FLAMING PAN - you may be burned.
- DO NOT USE WATER, including wet dishcloths or towels - a violent steam explosion will result.
- Use an extinguisher ONLY if:
 - You know you have a class ABC extinguisher, and you already know how to operate it.
 - The fire is small and contained in the area where it started.
 - The fire department is being called.
 - You can fight the fire with your back to an exit.

^aBased on "Kitchen Fire Safety Tips" published by NFPA.

- **WARNING:** To reduce the risk of fire or electrical shock, do not use this fan with any solid-state speed control device.

READ AND SAVE THESE INSTRUCTIONS

INSTALLATION REQUIREMENTS

Tools and Parts

Gather the required tools and parts before starting installation. Read and follow the safety instructions provided with any tools listed here.

Tools needed

- Level
- Drill
- 1¼" (3.0 cm) drill bit
- Pilot hole drill bits (determined by chimney support attachment method)
- Pencil
- Wire stripper or utility knife
- Tape measure or ruler
- Pliers
- Caulking gun and weatherproof caulking compound
- Jigsaw or keyhole saw
- Flat-blade screwdriver
- Phillips screwdriver
- Vent clamps
- Metal snips

Parts needed

- 1 UL listed or CSA approved, ½" (12.5 mm) strain relief
- 2 UL listed wire connectors
- Home power supply cable
- 4 Concrete anchors for ¼" x 4" hex head lag bolts (for concrete installation)
- 1 Wall or roof cap
- Metal vent system

Parts supplied

Remove parts from packages. Check that all parts were included.

- Hood canopy assembly with ventilator and light bulbs installed
- 3 Filters (4 filters for 48" [121.9 cm] hood)
- Chimney assembly
- Ceiling mounting template
- Upper chimney cover
- Lower chimney cover
- Parts bag containing:
 - Damper (2 dampers for 48" [121.9 cm] hood)
 - 4 Hex washer head bolts (for attaching canopy to chimney support)
 - 4 Hex washer head wood bolts (for attaching chimney support to ceiling)

Location Requirements

IMPORTANT: Observe all governing codes and ordinances.

Have a qualified technician install the range hood. It is the installer's responsibility to comply with installation clearances specified on the model/serial rating plate. The model/serial rating plate is located inside the range hood on the rear wall of the range hood.

Island hood location should be away from strong draft areas, such as windows, doors and strong heating vents.

Cabinet opening dimensions that are shown must be used. Given dimensions provide minimum clearance.

It is recommended that the hood be fastened into solid wood.

The island hood is factory set for venting through the roof or through the wall.

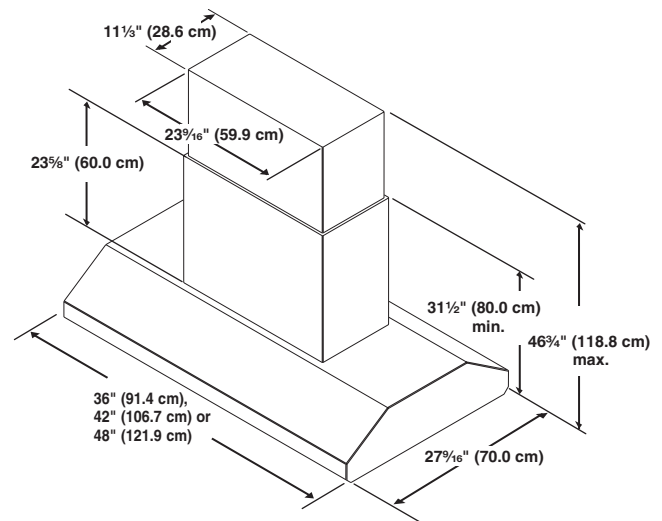
All openings in ceiling and where island hood will be installed must be sealed.

For Mobile Home Installations

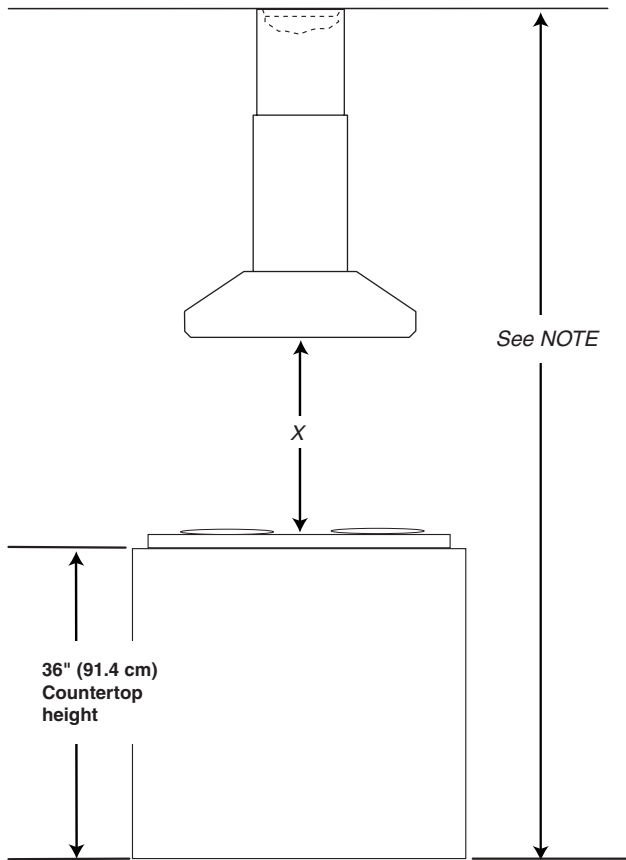
The installation of this range hood must conform to the Manufactured Home Construction Safety Standards, Title 24 CFR, Part 328 (formerly the Federal Standard for Mobile Home Construction and Safety, Title 24, HUD, Part 280) or when such standard is not applicable, the standard for Manufactured Home Installation 1982 (Manufactured Home Sites, Communities and Setups) ANSI A225.1/NFPA 501A*, or latest edition, or with local codes.

Product Dimensions

Vented Installations



Installation Clearances



NOTE: The hood chimneys are adjustable and designed to meet varying ceiling or soffit heights depending on the distance “X” between the bottom of the hood and the cooking surface. For higher ceilings an extension kit (Part Number W10197713) is available, see your dealer. The chimney extension replaces the upper chimney shipped with the hood.

IMPORTANT:

Minimum distance “X”: 30" (76.2 cm)
Suggested maximum distance “X”: 36" (91.4 cm)

For vented installations, the chimneys can be adjusted for ceilings between 8' 4¼" (2.55 m) and 9' 4¾" (2.86 m).

Venting Requirements

- Vent system must terminate to the outside.
- Do not terminate the vent system in an attic or other enclosed area.
- Do not use 4" (10.2 cm) laundry-type wall caps.
- Use metal vent only. Rigid metal vent is recommended. Do not use plastic or metal foil vent.
- The vent system must have a damper. If the roof or wall cap has a damper, do not use the damper supplied with the range hood.

For the most efficient and quiet operation:

- Use no more than three 90° elbows.
- Make sure there is a minimum of 24" (61 cm) of straight vent between the elbows if more than 1 elbow is used.
- Do not install 2 elbows together.
- Use clamps to seal all joints in the vent system.
- Use caulking to seal exterior wall or roof opening around the cap.
- The size of the vent should be uniform.

Cold Weather Installations

An additional back draft damper should be installed to minimize backward cold air flow and a thermal break should be installed to minimize conduction of outside temperatures as part of the vent system. The damper should be on the cold air side of the thermal break.

The break should be as close as possible to where the vent system enters the heated portion of the house.

Makeup Air

Local building codes may require the use of makeup air systems when using ventilation systems greater than specified CFM of air movement. The specified CFM varies from locale to locale. Consult your HVAC professional for specific requirements in your area.

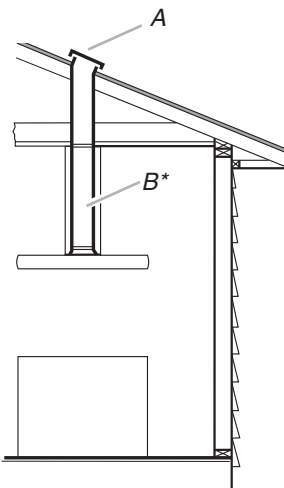
Venting Methods

A 6" (15.2 cm) round vent system is needed for installation (not included). A dual 6" (15.2 cm) round vent system is needed for the 48" (121.9 cm) range hood. The hood exhaust opening is 6" (15.2 cm) round.

NOTE: Flexible vent is not recommended. Flexible vent creates back pressure and air turbulence that greatly reduce performance.

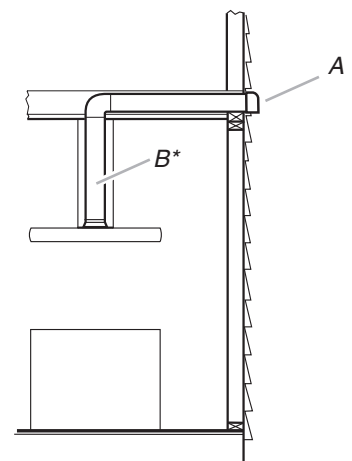
Vent system can terminate either through the roof or wall. To vent through a wall, a 90° elbow is needed.

Roof Venting



A. Roof cap
B. 6" (15.2 cm) round vent

Wall Venting



A. Wall cap
B. 6" (15.2 cm) round vent

*The 48" (121.9 cm) hood uses two 6" (15.2 cm) round vents or transitions to 10" (25.4 cm) round vent using Part Number 4396915.

To remove filters:

NOTE: Use 2 hands to remove the filters, one to pull and turn the knob, the other to hold the filter so that it doesn't fall.

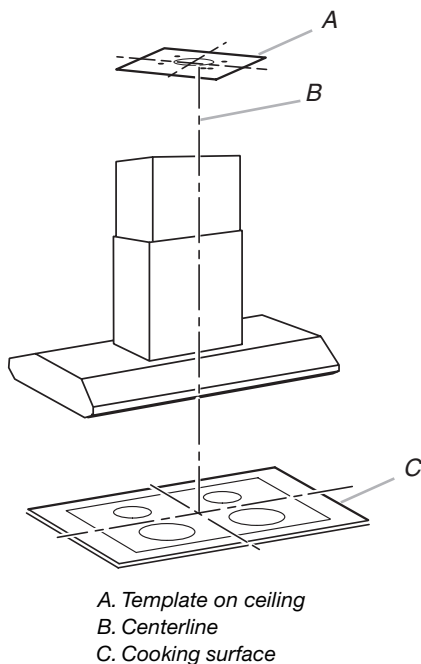
- Pull knob forward (toward the front of the hood) while turning the knob counterclockwise to release the locking lever.
- Slide the filter down and away from the front retaining channel.

5. Slide apart the chimney covers.

NOTE: To avoid damage to the chimney covers, do not remove the plastic coverings at this time.

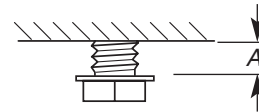
The chimney section of the hood is shipped assembled. It must be disassembled for installation.

6. Remove the lower chimney cover from the chimney support by removing the two Phillips screws on the outside bottom of the chimney cover.
7. Remove the upper chimney cover from the chimney support by removing the two Phillips screws on the outside top of the chimney cover.
8. Determine and mark the centerline on the ceiling where the hood will be installed, making sure that the hood is centered over the cooking surface.
9. Tape the template (supplied in the chimney support carton) to the ceiling and mark the mounting holes, electrical hole and vent location on the ceiling.



10. Drill pilot holes in the chimney support mounting hole locations for your attachment method.
11. Use a 1 1/4" or 3.0 cm drill bit to drill the hole for the power supply cable.
12. Cut the hole for the vent system in the ceiling and install the vent system. See "Venting Requirements" section.
13. If roof or wall does not have a damper, place the round damper into the exhaust opening of the vent motor housing. The 48" (121.9 cm) hood requires 2 dampers.

14. Remove the 4 hex washer head wood bolts from the parts bag and install in previously drilled pilot holes for attaching chimney support to ceiling. Leave screw heads about 1/4" (6.4 mm) away from the ceiling strips.



A. 1/4" (6.4 mm)

15. Run wire through the 1 1/4" (3.0 cm) electrical hole in the ceiling according to the National Electrical Code or CSA Standards and local codes and ordinances. There must be enough power supply cable from the fused disconnect (or circuit breaker) box to make the connection in the hood's electrical wiring box.

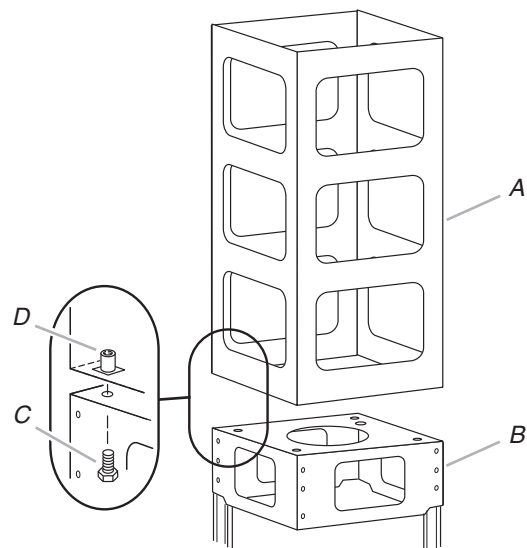
16. Use caulk to seal all openings.

NOTE: Do not reconnect power until installation is complete.

Chimney Extension Kit (optional) Installation

IMPORTANT: For this installation, you will need Chimney Extension Kit Part Number W10197713 (Stainless Steel).

1. Remove chimney extension cover (if factory assembled).
2. Position the chimney extension over the chimney support so that the outside edges and the electrical holes line up.
3. Attach the extension to the support using the 4 bolts supplied with the extension kit. Tighten bolts securely.



A. Chimney extension frame
B. Chimney support
C. Bolt
D. Captive threaded insert

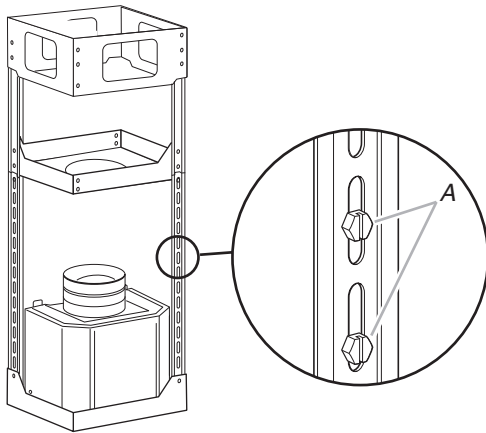
Complete Chimney Support Installation

1. Remove wiring box cover located on the top section of the chimney support.
2. Install a UL or CSA listed strain relief in the wiring box so that the screws can be tightened after the chimney support is attached to the ceiling.
3. Lift chimney support into its final location, feeding electrical wire through the strain relief.
4. Position the chimney support so that the large end of the keyhole slots are over the ceiling attachment bolts. Then push the chimney support so that the bolts are in the neck of the slots. Tighten bolts securely.

IMPORTANT: The chimney support must be securely attached to the ceiling.

5. Determine the desired length of the chimney support.
6. Remove the four screws and adjust the length of the lower chimney support as needed.

NOTE: This is the only section that can be adjusted.



A. Screws

7. Replace the four screws and tighten securely.

Make Electrical Connection

⚠ WARNING

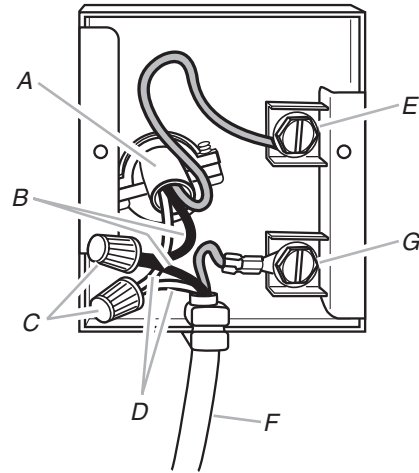


Electrical Shock Hazard

Disconnect power before servicing.
Replace all parts and panels before operating.
Failure to do so can result in death or electrical shock.

1. Disconnect power.
2. Remove terminal box cover.
3. Remove the knockout in the terminal box cover and install a UL listed or CSA approved 1/2" strain relief.
4. Run 3 wires, black, white and green, in 1/2" conduit from service panel to terminal box. Use caulking to seal openings.

5. Attach terminal box to the wall and securely tighten screws.



- A. Home power supply cable
 B. Black wires
 C. UL listed wire connectors
 D. White wires
 E. Green (or bare) ground wire from home power supply connected to green ground screw
 F. Range hood power supply cable
 G. Range hood power supply cable connected to green ground screw

6. Use UL listed wire connectors and connect black wires (B) together.
7. Use UL listed wire connectors and connect white wires (D) together.

⚠ WARNING



Fire Hazard

Electrically ground the blower.
Use copper wire.
Connect ground wire to green ground screw in terminal box.
Failure to do so can result in death, fire, or electrical shock.

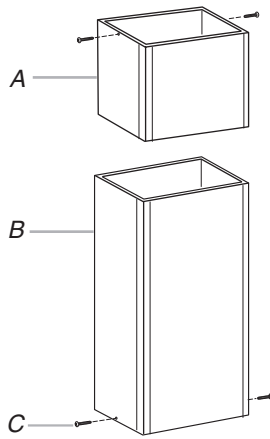
8. Connect green (or bare) ground wire from home power supply to the unused green ground screw (E) in the terminal box.
9. Tighten strain relief screws.
10. Install terminal box cover.
11. Check all light bulbs to make sure they are secure in their sockets.
12. Reconnect power.

Install Chimney Covers

Chimney Cover Installation

1. Attach the vent system to the damper. Seal all joints with vent clamp.
2. Remove the plastic covering from the chimney covers.

- Slide the upper chimney cover over the chimney support and attach to the top of the support using two screws provided.

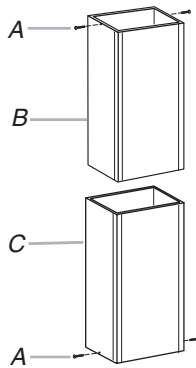


A. Upper chimney cover
B. Lower chimney cover
C. Screw

- Slide the lower chimney cover over the chimney support and the upper cover. Attach to the bottom of the support using the 2 screws provided.

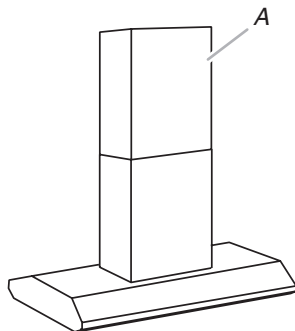
Chimney Extension Kit Installation (optional)

- Remove the plastic covering from the chimney covers.
- Discard the upper chimney cover supplied with the hood.
- Slide the chimney cover provided with the extension kit over the lower chimney support and extension frame and secure to the top of the extension frame using the 2 screws provided.



A. Screw
B. Upper chimney extension cover
C. Lower chimney extension cover

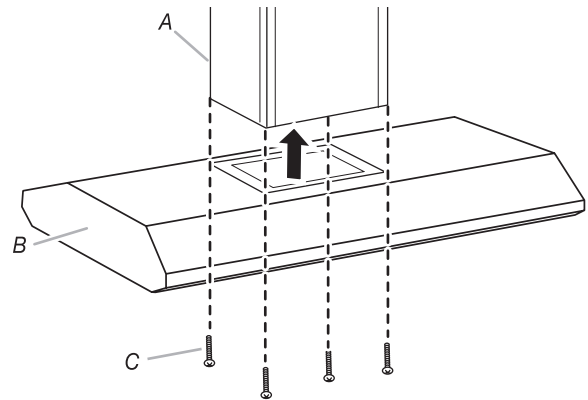
- Slide lower chimney cover over the chimney support and extension chimney cover and attach to the bottom of the support using the 2 screws provided.



A. Chimney extension kit assembled to hood assembly with chimney covers attached

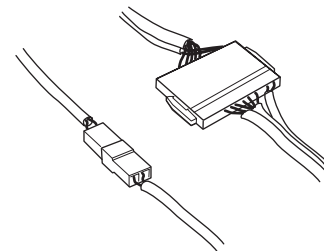
Install Vented Range Hood

- Using two or more people, lift the hood up against the chimney support and attach canopy to the chimney support using the 4 hex washer head bolts provided. Tighten bolts securely.

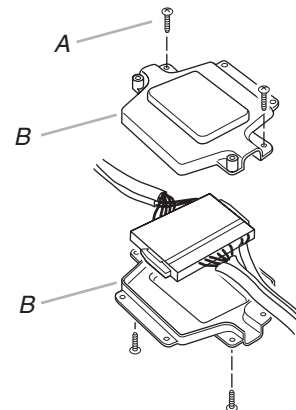


A. Chimney support
B. Hood
C. Hex washer head bolts

- From the underside of the hood, plug control cables together as shown.

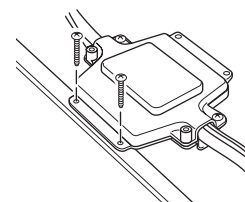


- Insert each connected cable into a black plastic connector box half.
- Place the top half of the connector box over the bottom half of the connector box and screw the 2 halves together using the 4 screws provided for each connector box.



A. Screws
B. Connector box half

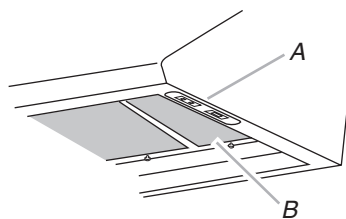
- Using the 2 longer screws provided for each box, attach the assembled connector boxes to the metal flange.



Complete Installation

Check Range Hood Operation

1. Check operation of the range hood by turning on the power.
2. The range hood controls are located on the right-hand underside of the range hood.



A. Controls
B. Filters

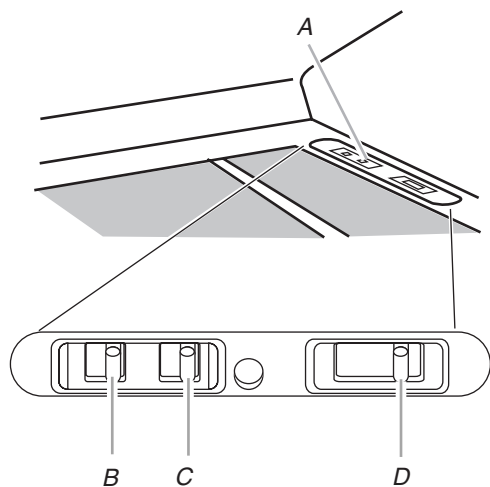
3. Move the light switch to “1” position. The night light should turn on. Move the light switch to “2” position. The full lights should turn on.
4. Move fan switch to “1” position. The fan should operate.
5. Move the fan speed switch to “1” position for low speed, “2” position for medium speed or “3” position for high speed.
6. Move fan and light switches to “0” position to turn fan and light off.
7. If range hood does not operate, check to see whether a circuit breaker has tripped or a household fuse has blown. Disconnect power supply and check that the wiring is correct.

NOTE: To get the most efficient use from your new range hood, read the “Range Hood Use” section.

RANGE HOOD USE

The range hood is designed to remove smoke, cooking vapors and odors from the cooktop area. For best results, start the hood before cooking and allow it to operate several minutes after the cooking is complete to clear all smoke and odors from the kitchen.

The hood controls are located on the right-hand underside of the range hood.



A. Controls
B. Light switch
C. Fan switch
D. Fan speed switch

Range Hood Controls

Operating the light

1. Move the light switch to the “1” position to turn range hood light to night light setting.
2. Move the light switch to the “2” position to turn range hood light to full light setting.
3. Move the light switch to the “Off” position to turn range hood light OFF.

Operating the fan

1. Move the fan switch to the “On” position to turn the fan ON. The fan will begin operating at the speed set on the fan speed switch.
2. Move the fan switch to the “Off” position to turn the fan OFF.

Auto On Fan

The range hood is equipped with a sensor to automatically turn on the fan when excessive heat is detected in the control area. When the fan switch is in the “Off” position, this sensor will turn the fan to high speed when necessary. When the heat decreases, the fan will turn off.

When the fan switch is in the “On” position, the heat sensor is not active and the range hood functions normally.

Adjusting the fan speed

The fan has 3 speed controls. Move the fan speed switch to “1” position for low speed, “2” position for medium speed, or “3” position for high speed.

Thermal Protector

The range hood is equipped with a thermal protector to avoid overheating conditions. If the range hood shuts off while in use, move the fan slider switch to the “Off” position to turn off the range hood. Wait approximately 60 minutes, then move the fan slider switch to the “On” position to restart the range hood.

RANGE HOOD CARE

Range Hood Lamps

Replacing a Halogen Lamp

This hood uses 12-volt, 20-watt halogen lamps.

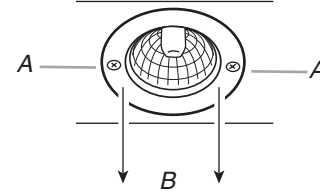
Turn off the range hood and allow the halogen lamps to cool.

To avoid damage or decreasing the life of the new bulb, do not touch bulb with bare fingers. Replace bulb using tissue or wearing cotton gloves to handle bulb.

To Replace:

1. Disconnect power.
2. Remove 2 screws from the circular metal trim around the lamp assembly.

3. Pull the trim and lamp assembly down far enough so that the lamp can be pulled out of the socket clips.



- A. Remove 2 screws.
B. Pull trim with lamp assembly down.

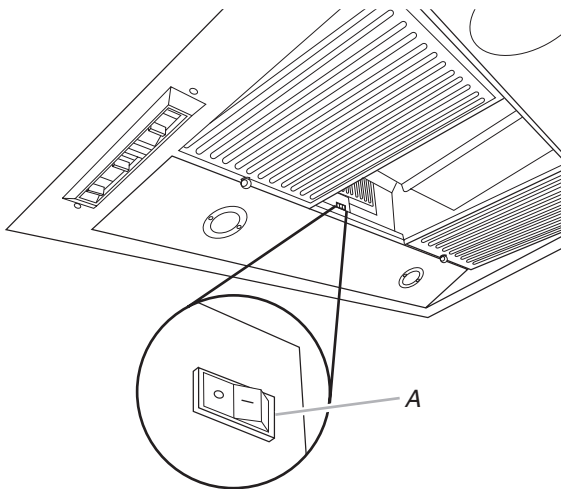
4. Insert the new lamp into the socket clips and push the lamp assembly back up into the hood.
5. Replace the screws.
6. Reconnect the power.

Cleaning

NOTE: The range hood control is equipped with a sensor that will automatically turn the fan on high speed when excessive heat is detected in the control area and the fan switch is in the “Off” position.

Before cleaning or servicing the range hood, move the fan auto-on switch to the “O” position (sensor Off). The switch is located behind the filters. See “Metal Filters” in this section to remove the filters.

When cleaning or servicing is complete, move the fan auto-on switch to the “I” position (sensor On).



A. Fan auto-on switch (shown in Off position)

Exterior surfaces:

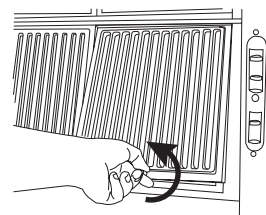
To avoid damage to the exterior surface, do not use steel wool or soap-filled scouring pads. Rub in direction of the grain line to avoid scratching the surface.

Always wipe dry to avoid water marks.

- Stainless Steel Cleaner and Polish.
- Mild liquid detergent and water.
- Wipe with damp soft cloth or nonabrasive sponge, then rinse with clean water and wipe dry.

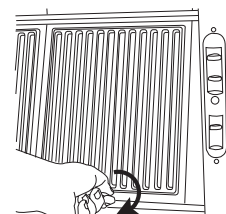
Metal Filters:

For vented installations, use 2 hands to remove filters. Turn the knob to the left (counterclockwise) to release filter. Repeat with other filter.

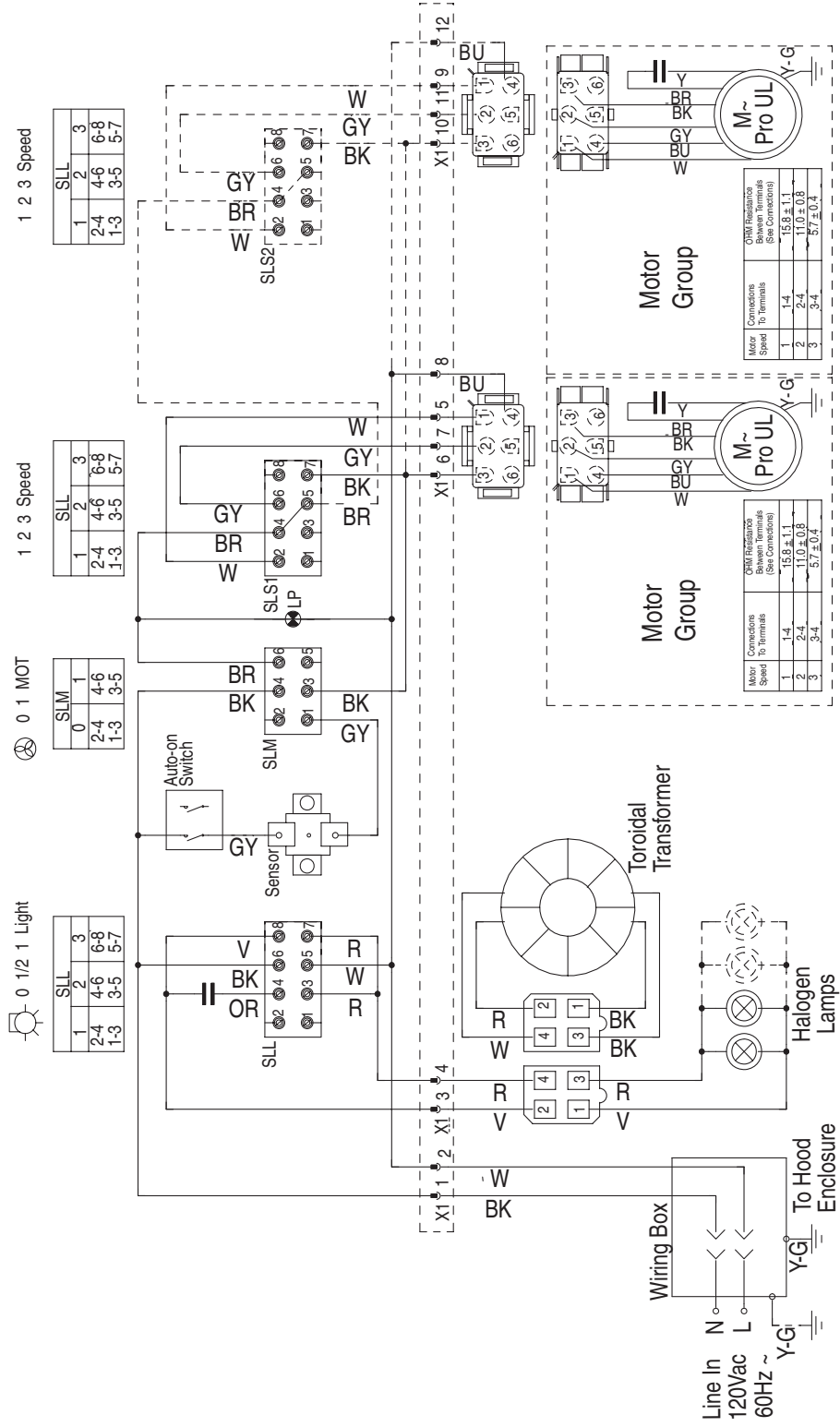


Wash metal filters as needed in dishwasher or hot detergent solution to clean.

Reinstall the filter by placing the back edge in the channel at rear of hood. Push filter into place, turn the knob to the right (clockwise) to attach to range hood. Repeat with other filter.



WIRING DIAGRAM



ASSISTANCE OR SERVICE

When calling for assistance or service, please know the purchase date and the complete model and serial number of your appliance. This information will help us to better respond to your request.

If you need replacement parts

If you need to order replacement parts, we recommend that you use only factory specified parts. Factory specified parts will fit right and work right because they are made with the same precision used to build every new appliance. To locate factory specified replacement parts in your area, call us or your nearest designated service center.

In the U.S.A.

Call the KitchenAid Customer eXperience Center toll free: **1-800-422-1230**.

Our consultants provide assistance with:

- Features and specifications on our full line of appliances.
- Installation information.
- Use and maintenance procedures.
- Accessory and repair parts sales.
- Specialized customer assistance (Spanish speaking, hearing impaired, limited vision, etc.).
- Referrals to local dealers, repair parts distributors and service companies. KitchenAid designated service technicians are trained to fulfill the product warranty and provide after-warranty service, anywhere in the United States.

To locate the KitchenAid designated service company in your area, you can also look in your telephone directory Yellow Pages.

For further assistance

If you need further assistance, you can write to KitchenAid with any questions or concerns at:

KitchenAid Brand Home Appliances
Customer eXperience Center
553 Benson Road
Benton Harbor, MI 49022-2692

Please include a daytime phone number in your correspondence.

In Canada

Call the KitchenAid Canada Customer eXperience Centre toll free: **1-800-807-6777**.

Our consultants provide assistance with:

- Features and specifications on our full line of appliances.
- Use and maintenance procedures.
- Accessory and repair parts sales.
- Referrals to local dealers, repair parts distributors and service companies. KitchenAid Canada designated service technicians are trained to fulfill the product warranty and provide after-warranty service, anywhere in Canada.

For further assistance

If you need further assistance, you can write to KitchenAid Canada with any questions or concerns at:

Customer eXperience Centre
KitchenAid Canada
1901 Minnesota Court
Mississauga, Ontario L5N 3A7

Please include a daytime phone number in your correspondence.

Accessories

Chimney Extension Kit

Order Part Number W10197713 Stainless Steel

Dual 6" (15.2 cm) Round to Single 10" (25.4 cm) Round Duct Transition Kit

Order Part Number 4396915

KITCHENAID® VENTILATION WARRANTY

LIMITED WARRANTY

For one year from the date of purchase, when this major appliance is operated and maintained according to instructions attached to or furnished with the product, KitchenAid brand of Whirlpool Corporation or Whirlpool Canada LP (hereafter "KitchenAid") will pay for Factory Specified Parts and repair labor to correct defects in materials or workmanship. Service must be provided by a KitchenAid designated service company. This limited warranty is valid only in the United States or Canada and applies only when the major appliance is used in the country in which it was purchased. Outside the 50 United States and Canada, this limited warranty does not apply. Proof of original purchase date is required to obtain service under this limited warranty.

ITEMS EXCLUDED FROM WARRANTY

This limited warranty does not cover:

1. Service calls to correct the installation of your major appliance, to instruct you on how to use your major appliance, to replace or repair house fuses, or to correct house wiring or plumbing.
2. Service calls to repair or replace appliance light bulbs, air filters or water filters. Consumable parts are excluded from warranty coverage.
3. Repairs when your major appliance is used for other than normal, single-family household use or when it is used in a manner that is contrary to published user or operator instructions and/or installation instructions.
4. Damage resulting from accident, alteration, misuse, abuse, fire, flood, acts of God, improper installation, installation not in accordance with electrical or plumbing codes, or use of consumables or cleaning products not approved by KitchenAid.
5. Cosmetic damage, including scratches, dents, chips or other damage to the finish of your major appliance, unless such damage results from defects in materials or workmanship and is reported to KitchenAid within 30 days from the date of purchase.
6. Costs associated with the removal from your home of your major appliance for repairs. This major appliance is designed to be repaired in the home and only in-home service is covered by this warranty.
7. Repairs to parts or systems resulting from unauthorized modifications made to the appliance.
8. Expenses for travel and transportation for product service if your major appliance is located in a remote area where service by an authorized KitchenAid servicer is not available.
9. The removal and reinstallation of your major appliance if it is installed in an inaccessible location or is not installed in accordance with published installation instructions.
10. Major appliances with original model/serial numbers that have been removed, altered or cannot be easily determined. This warranty is void if the factory applied serial number has been altered or removed from your major appliance.

The cost of repair or replacement under these excluded circumstances shall be borne by the customer.

DISCLAIMER OF IMPLIED WARRANTIES; LIMITATION OF REMEDIES

CUSTOMER'S SOLE AND EXCLUSIVE REMEDY UNDER THIS LIMITED WARRANTY SHALL BE PRODUCT REPAIR AS PROVIDED HEREIN. IMPLIED WARRANTIES, INCLUDING WARRANTIES OF MERCHANTABILITY OR FITNESS FOR A PARTICULAR PURPOSE, ARE LIMITED TO ONE YEAR OR THE SHORTEST PERIOD ALLOWED BY LAW. KITCHENAID SHALL NOT BE LIABLE FOR INCIDENTAL OR CONSEQUENTIAL DAMAGES. SOME STATES AND PROVINCES DO NOT ALLOW THE EXCLUSION OR LIMITATION OF INCIDENTAL OR CONSEQUENTIAL DAMAGES, OR LIMITATIONS ON THE DURATION OF IMPLIED WARRANTIES OF MERCHANTABILITY OR FITNESS, SO THESE EXCLUSIONS OR LIMITATIONS MAY NOT APPLY TO YOU. THIS WARRANTY GIVES YOU SPECIFIC LEGAL RIGHTS, AND YOU MAY ALSO HAVE OTHER RIGHTS WHICH VARY FROM STATE TO STATE OR PROVINCE TO PROVINCE.

If outside the 50 United States and Canada, contact your authorized KitchenAid dealer to determine if another warranty applies.

If you need service, first see the "Troubleshooting" section of the Use & Care Guide. After checking "Troubleshooting," you may find additional help by checking the "Assistance or Service" section or by calling KitchenAid. In the U.S.A., call **1-800-422-1230**. In Canada, call **1-800-807-6777**.

9/07

Keep this book and your sales slip together for future reference. You must provide proof of purchase or installation date for in-warranty service.

Write down the following information about your major appliance to better help you obtain assistance or service if you ever need it. You will need to know your complete model number and serial number. You can find this information on the model and serial number label located on the product.

Dealer name _____

Address _____

Phone number _____

Model number _____

Serial number _____

Purchase date _____

SÉCURITÉ DE LA HOTTE DE CUISINIÈRE

Votre sécurité et celle des autres est très importante.

Nous donnons de nombreux messages de sécurité importants dans ce manuel et sur votre appareil ménager. Assurez-vous de toujours lire tous les messages de sécurité et de vous y conformer.



Voici le symbole d'alerte de sécurité.

Ce symbole d'alerte de sécurité vous signale les dangers potentiels de décès et de blessures graves à vous et à d'autres.

Tous les messages de sécurité suivront le symbole d'alerte de sécurité et le mot "DANGER" ou "AVERTISSEMENT". Ces mots signifient :

⚠ DANGER

Risque possible de décès ou de blessure grave si vous ne suivez pas immédiatement les instructions.

⚠ AVERTISSEMENT

Risque possible de décès ou de blessure grave si vous ne suivez pas les instructions.

Tous les messages de sécurité vous diront quel est le danger potentiel et vous disent comment réduire le risque de blessure et ce qui peut se produire en cas de non-respect des instructions.

IMPORTANTES INSTRUCTIONS DE SÉCURITÉ

AVERTISSEMENT : POUR RÉDUIRE LE RISQUE D'INCENDIE, CHOC ÉLECTRIQUE OU DOMMAGES CORPORELS, RESPECTER LES INSTRUCTIONS SUIVANTES :

- Utiliser cet appareil uniquement dans les applications envisagées par le fabricant. Pour toute question, contacter le fabricant.
- Avant d'entreprendre un travail d'entretien ou de nettoyage, interrompre l'alimentation de la hotte au niveau du tableau de disjoncteurs, et verrouiller le tableau de disjoncteurs pour empêcher tout rétablissement accidentel de l'alimentation du circuit. Lorsqu'il n'est pas possible de verrouiller le tableau de disjoncteurs, placer sur le tableau de disjoncteurs une étiquette d'avertissement proéminente interdisant le rétablissement de l'alimentation.
- Tout travail d'installation ou câblage électrique doit être réalisé par une personne qualifiée, dans le respect des prescriptions de tous les codes et normes applicables, y compris les codes du bâtiment et de protection contre les incendies.
- Une source d'air de débit suffisant est nécessaire pour le fonctionnement correct de tout appareil à gaz (combustion et évacuation des gaz à combustion par la cheminée), pour qu'il n'y ait pas de reflux des gaz de combustion. Respecter les directives du fabricant de l'équipement de chauffage et les prescriptions des normes de sécurité - comme celles publiées par la National Fire Protection Association (NFPA) et l'American Society for Heating, Refrigeration and Air Conditioning Engineers (ASHRAE), et les prescriptions des autorités réglementaires locales.
- Lors d'opérations de découpage et de perçage dans un mur ou un plafond, veiller à ne pas endommager les câblages électriques ou canalisations qui peuvent s'y trouver.
- Les ventilateurs d'évacuation doivent toujours décharger l'air à l'extérieur.

MISE EN GARDE : Cet appareil est conçu uniquement pour la ventilation générale. Ne pas l'utiliser pour l'extraction de matières ou vapeurs dangereuses ou explosives.

MISE EN GARDE : Pour minimiser le risque d'incendie et évacuer adéquatement les gaz, veiller à acheminer l'air aspiré par un conduit jusqu'à l'extérieur - ne pas décharger l'air aspiré dans un espace vide du bâtiment comme une cavité murale, un plafond, un grenier, un vide sanitaire ou un garage.

AVERTISSEMENT : POUR RÉDUIRE LE RISQUE D'INCENDIE, UTILISER UNIQUEMENT DES CONDUITS MÉTALLIQUES.

AVERTISSEMENT : POUR MINIMISER LE RISQUE D'UN FEU DE GRAISSE SUR LA CUISINIÈRE :

- Ne jamais laisser un élément de surface fonctionner à puissance de chauffage maximale sans surveillance. Un renversement/débordement de matière grasseuse pourrait provoquer une inflammation et la génération de fumée. Utiliser une puissance de chauffage moyenne ou basse pour le chauffage d'huile.
- Veiller à toujours faire fonctionner le ventilateur de la hotte lors de la cuisson avec une puissance de chauffage élevée ou lors de la cuisson d'un mets à flamber (à savoir crêpes Suzette, cerise jubilee, steak au poivre flambé).
- Nettoyer fréquemment les ventilateurs d'extraction. Veiller à ne pas laisser la graisse s'accumuler sur les surfaces du ventilateur ou des filtres.
- Utiliser toujours un ustensile de taille appropriée. Utiliser toujours un ustensile adapté à la taille de l'élément chauffant.

AVERTISSEMENT : POUR RÉDUIRE LE RISQUE DE DOMMAGES CORPORELS APRÈS LE DÉCLENCHEMENT D'UN FEU DE GRAISSE SUR LA CUISINIÈRE, APPLIQUER LES RECOMMANDATIONS SUIVANTES :^a

- Placer sur le récipient un couvercle bien ajusté, une tôle à biscuits ou un plateau métallique **POUR ÉTOUFFER LES FLAMMES**, puis éteindre le brûleur. **VEILLER À ÉVITER LES BRÛLURES**. Si les flammes ne s'éteignent pas immédiatement, **ÉVACUER LA PIÈCE ET APPELER LES POMPIERS**.
- **NE JAMAIS PRENDRE EN MAIN UN RÉCIPENT ENFLAMMÉ** - vous risquez de vous brûler.
- **NE PAS UTILISER D'EAU**, ni un torchon humide - ceci pourrait provoquer une explosion de vapeur brûlante.
- Utiliser un extincteur **SEULEMENT** si :
 - Il s'agit d'un extincteur de classe ABC, dont on connaît le fonctionnement.
 - Il s'agit d'un petit feu encore limité à l'endroit où il s'est déclaré.
 - Les pompiers ont été contactés.
 - Il est possible de garder le dos orienté vers une sortie pendant l'opération de lutte contre le feu.

^aRecommandations tirées des conseils de sécurité en cas d'incendie de cuisine publiés par la NFPA.

- **AVERTISSEMENT :** Pour réduire le risque d'incendie ou de choc électrique, ne pas utiliser ce ventilateur avec un quelconque dispositif de réglage de la vitesse à semi-conducteurs.

LIRE ET CONSERVER CES INSTRUCTIONS

EXIGENCES D'INSTALLATION

Outillage et pièces

Rassembler les outils et pièces nécessaires avant de commencer l'installation. Lire et suivre les instructions de sécurité fournies avec les outils indiqués ici.

Outils nécessaires

- Niveau
- Perceuse
- Foret de 1¼" (3 cm)
- Forets pour avant-trou (selon la méthode de fixation du support de cheminée)
- Crayon
- Pince à dénuder ou couteau utilitaire
- Mètre-ruban ou règle
- Pince
- Pistolet à calfeutrage et composé de calfeutrage résistant aux intempéries
- Scie sauteuse ou scie à guichet
- Tournevis à lame plate
- Tournevis Phillips
- Brides de serrage pour conduit d'évacuation
- Cisaille de ferblantier

Pièces nécessaires

- 1 serre-câble de ½" (12,5 mm) - homologation UL ou CSA
- 2 connecteurs de fils homologués UL
- Câble d'alimentation électrique du domicile
- 4 vis d'ancrage pour béton ¼" x 4", à tête hexagonale - en cas de fixation sur du béton
- 1 bouche de décharge (décharge à travers le mur ou à travers le toit)
- Conduit d'évacuation métallique

Pièces fournies

Retirer les pièces des emballages. Vérifier la présence de toutes les pièces.

- Auvent de hotte avec ventilateur et lampes installés
- 3 filtres (4 filtres pour hotte de 48" [121,9 cm])
- Cheminée

- Gabarit de montage de plafond
- Cache-cheminée - section supérieure
- Cache-cheminée - section inférieure
- Sachet de pièces contenant :
 - Clapet (2 clapets pour hotte de 48" [121,9 cm])
 - 4 vis (tête hexagonale à embase) - pour fixation de la hotte sur le support de cheminée)
 - 4 vis à bois (tête hexagonale à embase) - pour fixation du support de cheminée au plafond

Exigences d'emplacement

IMPORTANT : Observer les dispositions de tous les codes et règlements en vigueur.

Confier l'installation de la hotte à un technicien qualifié. C'est à l'installateur qu'incombe la responsabilité de respecter les distances de séparation exigées, spécifiées sur la plaque signalétique de l'appareil. La plaque signalétique est située à l'intérieur de la hotte, sur la paroi arrière.

Installer la hotte d'extraction à distance de toute zone exposée à des courants d'air, comme fenêtres, portes et bouches de chauffage.

Respecter les dimensions indiquées pour les ouvertures à découper dans les placards; ces dimensions tiennent compte des valeurs minimales des dégagements de séparation.

On recommande que la hotte soit fixée sur du bois massif.

La hotte d'extraction a été configurée à l'usine pour la décharge à travers le toit ou le mur.

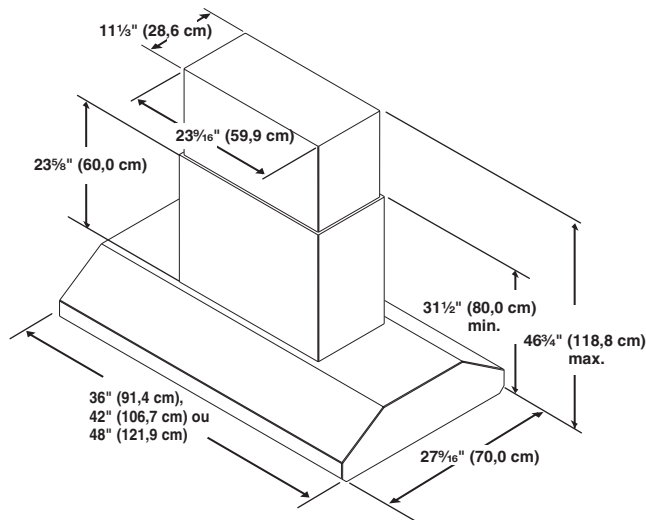
On devra assurer l'étanchéité de toutes les ouvertures (plafond et mur) découpées pour l'installation de la hotte.

Installation dans une résidence mobile

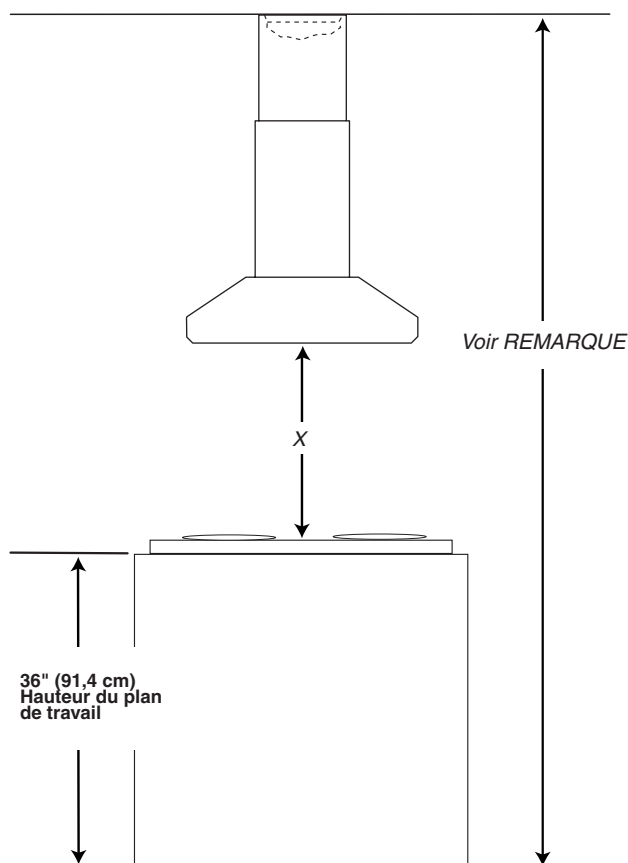
L'installation de cette hotte doit satisfaire aux exigences de la norme Manufactured Home Construction Safety Standards, Titre 24 CFR, partie 328 (anciennement Federal Standard for Mobile Home Construction and Safety, titre 24, HUD, partie 280); lorsque cette norme n'est pas applicable, l'installation doit satisfaire aux critères de la plus récente édition de la norme Manufactured Home Installation 1982 (Manufactured Home Sites, Communities and Setups) ANSI A225.1/NFPA 501A*, ou des codes locaux.

Dimensions du produit

Installation avec circuit d'évacuation



Dégagements de séparation à respecter



REMARQUE : La cheminée de la hotte est réglable; on peut l'ajuster en fonction de la hauteur disponible sous plafond ou soffite, et selon la distance "X" entre le bas de la hotte et la surface de cuisson. Pour les plafonds plus élevés, un ensemble d'extension (pièce numéro W10197713) est disponible auprès de votre marchand. L'extension de cheminée remplace la section de cheminée supérieure fournie avec la hotte.

IMPORTANT :

Valeur minimale de la distance "X" : 30" (76,2 cm)
Valeur maximale suggérée pour la distance "X" : 36" (91,4 cm)

Pour une installation avec décharge à l'extérieur, on peut ajuster la cheminée pour une hauteur sous plafond de 8' 4 1/4" (2,55 m) et 9' 4 3/4" (2,86 m).

Exigences concernant l'évacuation

- Le système d'évacuation doit décharger l'air à l'extérieur.
- Ne pas terminer le système d'évacuation dans un grenier ou dans un autre espace fermé.
- Ne pas utiliser une bouche de décharge murale de 4" (10,2 cm) normalement utilisée pour un équipement de buanderie.
- Utiliser un conduit métallique uniquement. Un conduit en métal rigide est recommandé. Ne pas utiliser de conduit de plastique ou de métal très mince.
- Le système d'évacuation doit comporter un clapet. Si la bouche de décharge murale ou par le toit comporte un clapet, ne pas utiliser le clapet fourni avec la hotte de cuisinière.

Pour un fonctionnement efficace et silencieux :

- Ne pas utiliser plus de trois coudes à 90°.
- Veiller à ce qu'il y ait une section droite de conduit de 24" (61 cm) ou plus entre deux coudes, si on doit utiliser plus de un raccord coudé.
- Ne pas installer 2 coudes ensemble.
- Au niveau de chaque jointure du conduit de décharge, assurer l'étanchéité avec les brides de serrage pour conduit.
- Autour de la bouche de décharge murale ou par le toit, assurer l'étanchéité avec un produit de calfeutrage.
- La taille du conduit doit être uniforme.

Installations dans une région à climat froid

Dans le circuit d'évacuation, on devrait installer un clapet anti-reflux additionnel pour minimiser le reflux d'air froid, ainsi qu'un élément d'isolation thermique pour minimiser le transfert de chaleur par conduction vers l'extérieur. Le clapet anti-reflux doit être placé du côté air froid par rapport à l'élément d'isolation thermique.

L'élément d'isolation thermique doit être aussi proche que possible de l'endroit où le système d'évacuation s'introduit dans la partie chauffée de la maison.

Air d'appoint

Le code du bâtiment local peut exiger l'emploi d'un système de renouvellement de l'air/introduction d'air d'appoint, lors de l'utilisation d'un système d'aspiration de débit supérieur à une valeur (pieds cubes par minute) spécifiée. Le débit spécifié, pieds cubes par minute, est variable d'une juridiction à une autre.

Consulter un professionnel des installations de chauffage/ventilation/climatisation au sujet des exigences spécifiques applicables dans la juridiction locale.

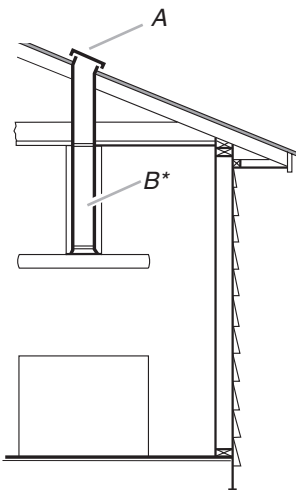
Méthodes d'évacuation

Un circuit d'évacuation en conduit rond de 6" (15,2 cm) est nécessaire pour l'installation (non fourni). Un double circuit d'évacuation en conduit rond de 6" (15,2 cm) est nécessaire pour la hotte de cuisinière de 48" (121,9 cm). La hotte comporte une ouverture de sortie de diamètre 6" (15,2 cm).

REMARQUE : On déconseille l'emploi d'un conduit flexible. Un conduit flexible peut causer une rétropression et des turbulences de l'air, ce qui réduit considérablement la performance.

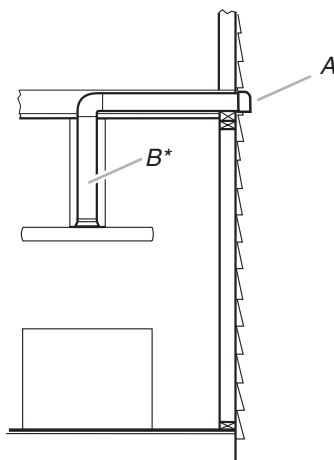
La sortie à l'extérieur du circuit d'évacuation peut se faire à travers le toit ou à travers un mur. Pour la sortie à travers un mur, on doit employer un raccord coudé de 90°.

Décharge à travers le toit



A. Bouche de décharge sur toit
B. Conduit rond, dia. 6" (15,2 cm)

Décharge à travers le mur



A. Bouche de décharge murale
B. Conduit rond, dia. 6" (15,2 cm)

*La hotte de 48" (121,9 cm) utilise deux conduits d'évacuation ronds de 6" (15,2 cm) ou deux raccords de transition pour des conduits d'évacuation ronds de 10" (25,4 cm); utiliser la pièce numéro 4396915.

Calcul de la longueur effective du circuit d'évacuation

Pour calculer la longueur effective du circuit d'évacuation nécessaire, additionner les longueurs équivalentes (pieds/mètres) de tous les composants utilisés dans le système.

Composant

Coude à 45° 2,5 pi (0,8 m)



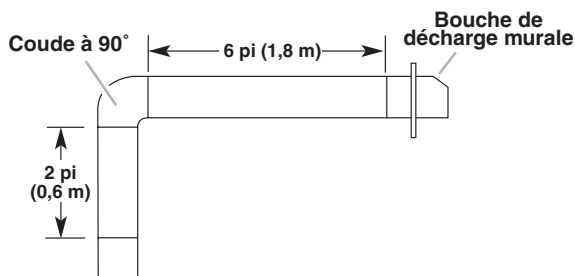
Coude à 90° 5 pi (1,5 m)



Les longueurs maximales équivalentes de conduit sont les suivantes :

Conduit rond de dia. 6" (15,2 cm) – 35 pi (10,7 m)
Conduit rond de dia. 7" (17,8 cm) – 40 pi (12,2 m)
Conduit rond de dia. 8" (20,3 cm) – 50 pi (15,2 m)
Conduits ronds de dia. 9" (22,9 cm) et 10" (25,4 cm) – 60 pi (18,3 m)

Exemple de système de décharge



Dans l'exemple suivant, la longueur théorique du circuit est inférieure au maximum de 35 pi (10,7 m).

1 - coude à 90°	= 5 pi (1,5 m)
1 - bouche de décharge murale	= 0 pi (0 m)
section droite de 8 pi (2,4 m)	= 8 pi (2,4 m)
Longueur équivalente totale du circuit	= 13 pi (3,9 m)

Spécifications électriques

Observer les dispositions de tous les codes et règlements en vigueur.

L'installation électrique doit satisfaire les exigences de la plus récente édition de la norme National Electrical Code, ANSI/NFPA 70, ou de la norme CSA C22.1-94, Code canadien de l'électricité, partie 1 et C22.2 N° 0-M91 (dernière édition) et de tous les codes et règlements en vigueur locaux.

Si les codes le permettent et si on utilise un conducteur distinct de liaison à la terre, il est recommandé qu'un électricien qualifié vérifie la qualité de la liaison à la terre.

Pour obtenir un exemplaire de la norme des codes ci-dessus, contacter :

National Fire Protection Association
One Batterymarch Park
Quincy, MA 02269
CSA International
8501 East Pleasant Valley Road
Cleveland, OH 44131-5575

- L'appareil doit être alimenté par un circuit de 120 V, CA seulement, 60 Hz, 15 A, protégé par fusible.
- Si le domicile est équipé d'un câblage en aluminium, suivre les instructions suivantes :

1. Connecter une section de câble en cuivre massif aux conducteurs en queue de cochon.
2. Connecter le câblage en aluminium à la section ajoutée de câblage en cuivre en utilisant des connecteurs et/ou des outils spécialement conçus et homologués UL pour fixer le cuivre à l'aluminium.

Appliquer la procédure recommandée par le fabricant des connecteurs. La connexion aluminium/cuivre doit être conforme aux codes locaux et aux pratiques de câblage acceptées par l'industrie.

- Le calibre des conducteurs et les connexions doivent être compatibles avec la demande de courant de l'appareil spécifiée sur la plaque signalétique. La plaque signalétique de l'appareil est située derrière le filtre, sur la paroi arrière de la hotte.
- Le calibre des conducteurs doit satisfaire les exigences de la plus récente édition de la norme National Electrical Code, ANSI/NFPA 70, ou de la norme CSA C22.1-94, Code canadien de l'électricité, partie 1 et C22.2 n° 0-M91 (dernière édition) et de tous les codes et règlements en vigueur.

INSTRUCTIONS D'INSTALLATION

Préparation de l'emplacement

- Il est recommandé d'installer le système d'évacuation avant de procéder à l'installation de la hotte.
 - Avant d'exécuter les découpages, vérifier la disponibilité d'un espace de passage suffisant dans le plafond ou le mur pour le conduit d'évacuation.
 - Avant de sélectionner la hotte à installer, mesurer la hauteur libre sous plafond et la hauteur maximum disponible sous la hotte.
 - Pour éviter des détériorations et l'accumulation de saletés, placer un épais matériau de recouvrement sur le plan de travail, la table de cuisson ou la cuisinière.
1. Déconnecter la source de courant électrique.
 2. Déterminer la méthode d'extraction à utiliser : décharge à travers le mur ou le toit.
 3. Sélectionner une surface plane pour l'assemblage de la hotte. Placer le matériau de recouvrement sur cette surface.

AVERTISSEMENT

Risque du poids excessif

Utiliser deux ou plus de personnes pour déplacer et installer la hotte de la cuisinière.

Le non-respect de cette instruction peut causer une blessure au dos ou d'autre blessure.

4. À l'aide de deux personnes ou plus, soulever la hotte et la poser sur la surface couverte. Incliner la hotte vers l'arrière et ôter les filtres; les conserver à part.

Dépose des filtres :

REMARQUE : Utiliser les 2 mains pour retirer les filtres; avec une main, tirer et faire tourner le bouton et avec l'autre main, maintenir le filtre pour l'empêcher de tomber.

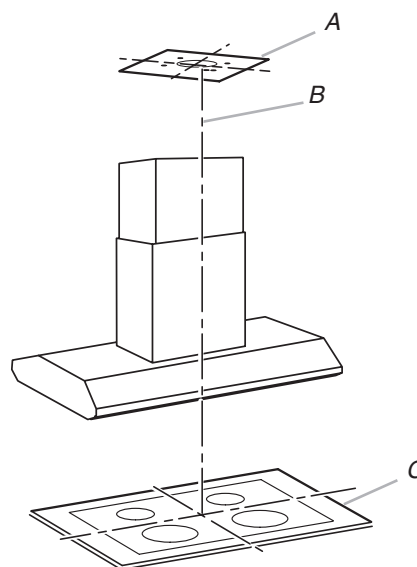
- Tirer le bouton vers l'avant de la hotte tout en faisant tourner le bouton dans le sens antihoraire pour libérer la tige de blocage.
- Faire glisser le filtre vers le bas pour le retirer de la rainure de retenue avant.

5. Séparer les sections du cache-cheminée en les faisant glisser.

REMARQUE : Afin d'éviter tout dommage aux cache-cheminée, ne pas retirer les feuilles de plastique servant à les recouvrir à ce stade des opérations.

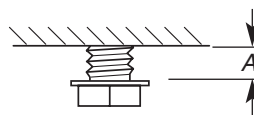
La cheminée de la hotte est expédiée assemblée; on doit la démonter pour l'installation.

6. Séparer la section inférieure du cache-cheminée du support de cheminée - enlever les deux vis Phillips en bas/à l'extérieur du cache-cheminée.
7. Séparer la section supérieure du cache-cheminée du support de cheminée - enlever les deux vis Phillips au sommet/à l'extérieur du cache-cheminée.
8. Déterminer et marquer l'axe central de la hotte au plafond, là où la hotte sera installée, en veillant à ce que la hotte soit centrée au-dessus de la surface de cuisson.
9. Avec du ruban adhésif, fixer le gabarit (fourni dans l'emballage du support de cheminée) au plafond, et marquer la position des trous de montage, du trou de passage du câble électrique et du conduit d'évacuation.



A. Gabarit collé au plafond
B. Axe central
C. Surface de cuisson

10. Percer les avant-trous appropriés à travers les trous de montage du support de cheminée.
11. Utiliser un foret de 1/4" ou 3,0 cm pour percer le trou de passage du câble d'alimentation électrique.
12. Découper dans le plafond le trou de passage nécessaire pour le conduit d'évacuation, et installer le circuit d'évacuation. Voir la section "Exigences concernant l'évacuation".
13. Si la bouche de décharge murale ou à travers le toit ne comporte pas de clapet, placer le clapet anti-reflux rond dans l'ouverture de sortie du carter du moteur du ventilateur. La hotte de 48" (121,9 cm) nécessite 2 clapets.
14. Placer dans les 4 avant-trous déjà percés les 4 vis à bois (tête hexagonale à embase) (fournies dans le sachet de pièces) de fixation au plafond du support de cheminée. Laisser les têtes de vis en saillie d'environ 1/4" (6,4 mm) par rapport au plafond.



A. 1/4" (6,4 mm)

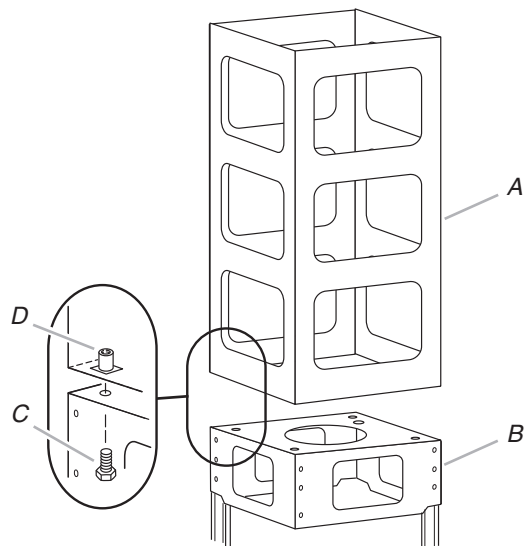
15. Faire passer un câble électrique à travers le trou de 1/4" (3,0 cm) situé dans le plafond (veiller à respecter les prescriptions du Code national de l'électricité ou des normes CSA et des codes et règlements locaux). Il faut que la longueur du câble d'alimentation soit suffisante pour qu'il soit possible de réaliser la liaison entre le tableau de distribution (ou le coupe-circuit) et la hotte, et les connexions dans la boîte de connexion de la hotte.
16. Utiliser un calfeutrant pour assurer l'étanchéité au niveau de chaque ouverture.

REMARQUE : Ne pas reconnecter la source de courant électrique avant d'avoir complètement terminé l'installation.

Installation de l'ensemble d'extension de cheminée (option)

IMPORTANT : Pour cette étape du processus d'installation, on doit disposer de l'ensemble Extension de cheminée, pièce numéro W10197713 (acier inoxydable).

1. Enlever le cache-cheminée (si installé à l'usine).
2. Positionner l'extension de cheminée sur le support de cheminée - veiller à l'alignement des bords externes et des trous de passage du câble électrique.
3. Fixer l'extension avec le support - utiliser les 4 vis fournies avec l'ensemble. Bien serrer les vis.



A. Armature de l'extension de cheminée
B. Support de cheminée
C. Vis
D. Écrou captif

Support de cheminée - achèvement de l'installation

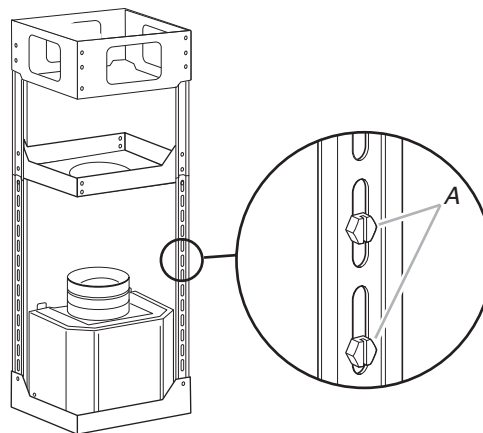
1. Enlever le couvercle du boîtier de connexion, sur la section supérieure du support de cheminée.
2. Installer un serre-câble (homologation UL ou CSA) sur le boîtier de connexion; veiller à ce qu'il soit possible de serrer les vis après que le support de cheminée aura été fixé au plafond.
3. Soulever le support de cheminée jusqu'à sa position de service finale; faire passer le câble d'alimentation électrique à travers le serre-câble.
4. Positionner le support de cheminée : placer l'extrémité large des trous d'accrochage au niveau des vis de fixation au plafond; pousser ensuite le support de cheminée pour engager les vis sur la partie étroite des trous de fixation. Bien serrer les vis.

IMPORTANT : Le support de cheminée doit être solidement fixé au plafond.

5. Déterminer la longueur nécessaire du support de cheminée.

6. Ôter les quatre vis et ajuster la longueur du support de cheminée inférieur selon le besoin.

REMARQUE : C'est la seule section qu'il est nécessaire de régler.



A. Vis

7. Réinstaller et bien serrer les quatre vis.

Raccordement électrique

⚠ AVERTISSEMENT



Risque de choc électrique

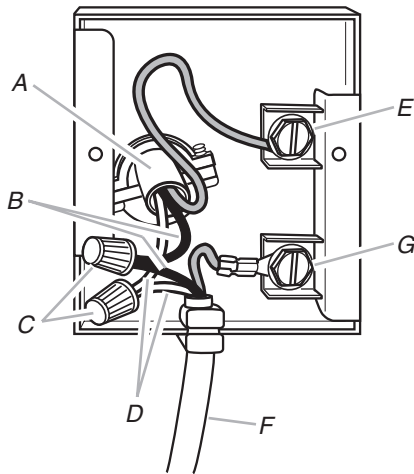
Déconnecter la source de courant électrique avant l'entretien.

Replacer pièces et panneaux avant de faire la remise en marche.

Le non-respect de ces instructions peut causer un décès ou un choc électrique.

1. Déconnecter la source de courant électrique.
2. Ôter le couvercle de la boîte de connexion.
3. Ôter l'opercule arrachable sur le couvercle de la boîte de connexion et installer un serre-câble de 1/2" (homologation UL ou CSA).
4. Acheminer 3 conducteurs (noir, blanc et vert) dans un conduit de 1/2", du tableau de distribution jusqu'à la boîte de connexion. Utiliser un calfeutrant pour assurer l'étanchéité au niveau des ouvertures découpées.

- Fixer la boîte de connexion au mur et bien serrer les vis.



- A. Câble d'alimentation électrique du domicile
 B. Conducteurs noirs
 C. Connecteurs de fils (homologation UL)
 D. Conducteurs blancs
 E. Conducteur de liaison à la terre vert (ou nu) du câble d'alimentation électrique du domicile connecté à la vis verte de liaison à la terre
 F. Câble d'alimentation de la hotte
 G. Câble d'alimentation de la hotte connecté à la vis verte de liaison à la terre

- Connecter ensemble les conducteurs noirs (B) avec des connecteurs de fils (homologation UL).
- Connecter ensemble les conducteurs blancs (D) avec des connecteurs de fils (homologation UL).

⚠ AVERTISSEMENT



Risque d'incendie

Relier le ventilateur à la terre.

Utiliser du fil en cuivre.

Brancher le fil relié à la terre à la vis verte reliée à la terre dans la boîte de la borne.

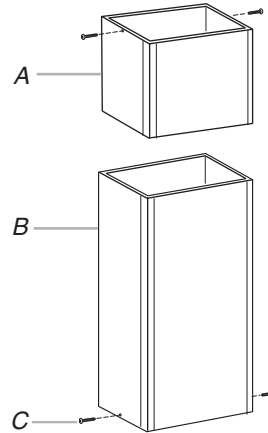
Le non-respect de ces instructions peut causer un décès, un incendie ou un choc électrique.

- Connecter le conducteur de liaison à la terre (vert ou nu) du câble d'alimentation du domicile à la vis verte de liaison à la terre non utilisée (E) dans la boîte de connexion.
- Serrer les vis du serre-câble.
- Installer le couvercle de la boîte de connexion.
- Inspecter chaque ampoule; vérifier que chaque ampoule est bien insérée dans sa douille.
- Reconnecter la source de courant électrique.

Installation des cache-cheminée

Installation du cache-cheminée

- Raccorder le conduit d'évacuation sur la section du clapet anti-reflux. Assurer l'étanchéité toutes les jointures avec une bride de conduit.
- Ôter la feuille de plastique de protection des sections du cache-cheminée.
- Enfiler la section supérieure du cache-cheminée sur le support de cheminée; fixer au sommet du support avec deux vis fournies.

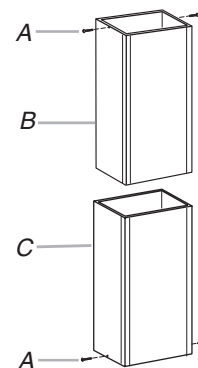


- A. Cache-cheminée - section supérieure
 B. Cache-cheminée - section inférieure
 C. Vis

- Faire glisser la section inférieure du cache-cheminée sur le support de cheminée et la section supérieure du cache-cheminée. Fixer sur le bas du support avec deux vis fournies.

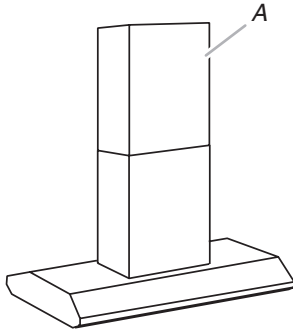
Installation de l'ensemble d'extension de cheminée (option)

- Ôter la feuille de plastique de protection des sections du cache-cheminée.
- Jeter la protection du cache-cheminée supérieur fournie avec la hotte.
- Enfiler le cache-cheminée fourni avec la section d'extension sur le support de cheminée inférieur et l'armature de l'extension; fixer au sommet l'armature de l'extension à l'aide de 2 vis fournies.



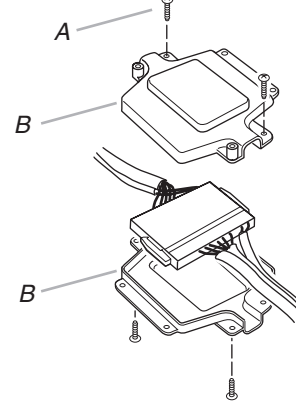
- A. Vis
 B. Cache-cheminée supérieur - extension
 C. Cache-cheminée inférieur - extension

4. Enfiler le cache-cheminée inférieur sur le support de cheminée et le cache-cheminée de l'extension de cheminée; fixer en bas du support avec les deux vis fournies.



A. Extension de cheminée assemblée et installée sur la hotte, avec cache-cheminée fixés

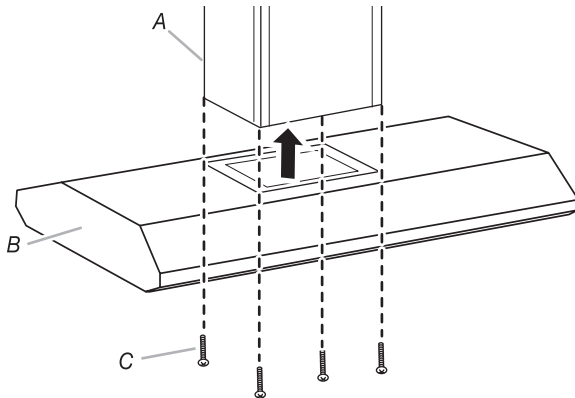
4. Pour chaque boîtier de protection de connecteur, placer la moitié supérieure sur la moitié inférieure, et visser les deux moitiés ensemble avec les quatre vis fournies.



A. Vis
B. Moitié de boîtier de protection de connecteur

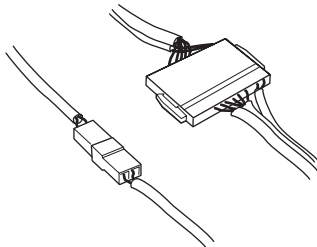
Installation de la hotte

1. À l'aide de deux personnes ou plus, soulever la hotte pour la placer contre le support de cheminée; fixer la hotte sur le support avec quatre vis (tête hexagonale à embase) fournies. Bien serrer les vis.



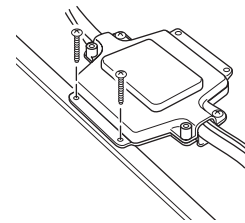
A. Support de cheminée
B. Hotte
C. Vis à tête hexagonale à embase

2. Par le dessous de la hotte, brancher les connecteurs du câblage - voir l'illustration.



3. Insérer chaque connecteur du câblage dans une moitié de boîtier de protection de connecteur en plastique noir.

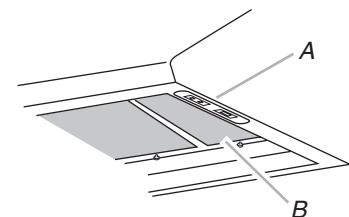
5. Utiliser les deux vis longues fournies avec chaque boîtier de protection pour fixer les boîtiers de protection assemblés sur le rebord métallique.



Achever l'installation

Vérification du fonctionnement de la hotte

1. Mettre l'appareil sous tension pour vérifier le bon fonctionnement de la hotte.
2. Les commandes sont situées sous la hotte, du côté droit.



A. Commandes
B. Filtres

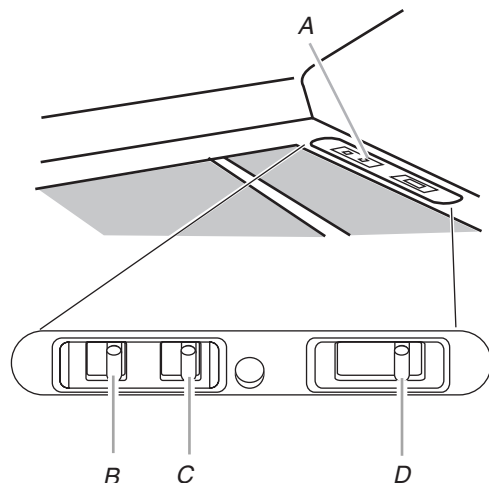
3. Placer le commutateur d'éclairage à la position "1". La veilleuse devrait s'allumer. Placer le commutateur d'éclairage à la position "2". Le plein éclairage devrait s'allumer.
4. Pousser le commutateur du ventilateur à la position "1". Le ventilateur devrait fonctionner.
5. Placer le commutateur de vitesse du ventilateur à la position "1" pour la vitesse faible, à la position "2" pour la vitesse moyenne ou à la position "3" pour la vitesse élevée.
6. Pour commander l'arrêt du ventilateur et l'extinction des lampes, placer les commutateurs du ventilateur et de l'éclairage à la position "0".
7. Si la hotte ne fonctionne pas, déterminer si un disjoncteur s'est ouvert ou si un fusible du domicile est grillé. Déconnecter la source de courant électrique du circuit et vérifier que le câblage est correct.

REMARQUE : Pour pouvoir tirer le plus grand parti de la nouvelle hotte de cuisinière, lire la section "Utilisation de la hotte".

UTILISATION DE LA HOTTE DE CUISINIÈRE

La hotte de cuisinière est conçue pour extraire fumée, vapeurs et odeurs de cuisson au-dessus de la table de cuisson. Pour obtenir les meilleurs résultats, mettre la hotte en marche avant d'entreprendre une cuisson, et la laisser fonctionner pendant plusieurs minutes après l'achèvement d'une cuisson pour pouvoir évacuer de la cuisine toute trace d'odeur de cuisson ou fumée.

Les commandes sont situées sous la hotte, du côté droit.



- A. Commandes
- B. Commutateur d'éclairage
- C. Commutateur du ventilateur
- D. Commutateur de vitesse du ventilateur

Commandes de la hotte de cuisinière

Utilisation de l'éclairage

1. Placer le commutateur d'éclairage à la position "1" pour placer l'éclairage de la hotte à la position de veilleuse.
2. Placer le commutateur d'éclairage à la position "2" pour placer l'éclairage de la hotte à la position de plein éclairage.
3. Placer le commutateur d'éclairage à la position "Off" (arrêt) pour éteindre l'éclairage de la hotte.

Utilisation du ventilateur

1. Placer le commutateur du ventilateur à la position "On" (marche) pour allumer le ventilateur. Le ventilateur commencera à fonctionner à la vitesse déjà sélectionnée par le commutateur de vitesse.
2. Placer le commutateur du ventilateur à la position "Off" pour éteindre le ventilateur.

Activation automatique du ventilateur

La hotte est dotée d'un capteur qui met automatiquement le ventilateur en marche lorsqu'une quantité de chaleur excessive est détectée dans la zone du module de commande. Lorsque le commutateur du ventilateur est à la position "Off", ce capteur met en marche le ventilateur à la vitesse élevée lorsque c'est nécessaire. Lorsque le niveau de chaleur diminue, le ventilateur s'éteint.

Lorsque le commutateur du ventilateur est à la position "On", le capteur de chaleur est inactif et la hotte fonctionne normalement.

Réglage de la vitesse du ventilateur

Le ventilateur comporte 3 commandes de vitesse. Placer le commutateur du ventilateur à la position "1" pour une vitesse basse, à la position "2" pour une vitesse moyenne ou à la position "3" pour une vitesse élevée.

Dispositif de protection thermique

La hotte est équipée d'un dispositif de protection thermique permettant d'éviter les conditions de surchauffe. Si la hotte s'éteint en cours d'utilisation, placer le curseur du ventilateur à Off (arrêt) pour éteindre la hotte. Attendre environ 60 minutes puis placer le curseur sur On (marche) pour remettre la hotte en marche.

ENTRETIEN DE LA HOTTE DE CUISINIÈRE

Lampes de la hotte de cuisinière

Remplacement d'une lampe à halogène

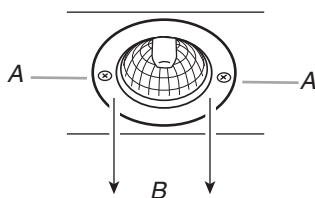
Cette hotte utilise des lampes à halogène de 12 volts, 20 watts.

Éteindre la hotte et laisser les lampes refroidir.

Pour éviter d'endommager ou de réduire la durée de vie de la nouvelle ampoule, ne pas toucher l'ampoule avec les doigts nus. Remplacer l'ampoule en utilisant un chiffon pour la manipulation ou en portant des gants en coton.

Pour le remplacement :

1. Déconnecter la source de courant électrique.
2. Ôter les 2 vis de la garniture métallique circulaire de la lampe.
3. Tirer vers le bas l'ensemble garniture/lampe suffisamment pour qu'il soit possible de dégager la lampe des agrafes de douille.



A. Retirer 2 vis.

B. Tirer vers le bas l'ensemble garniture/lampe.

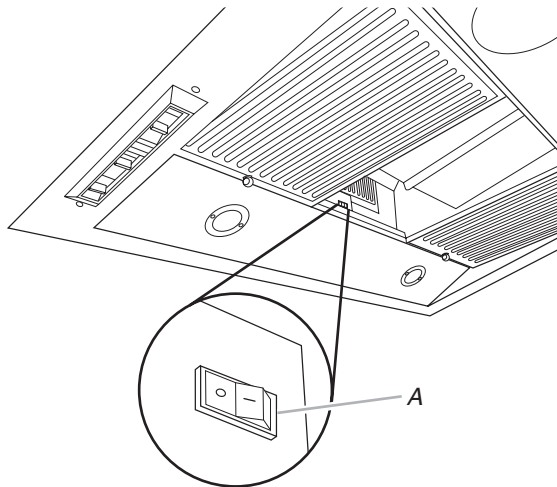
4. Insérer la lampe neuve dans les agrafes de la douille; repousser l'ensemble garniture/lampe vers le haut dans la hotte.
5. Réinstaller les vis.
6. Reconnecter la source de courant électrique.

Nettoyage

REMARQUE : Le module de commande de la hotte de cuisinière est doté d'un capteur qui place automatiquement le ventilateur à une vitesse élevée lorsqu'une chaleur excessive est détectée dans la zone du module de commande et que le commutateur du ventilateur est à la position "Off" (arrêt).

Avant le nettoyage ou l'entretien de la hotte, placer le commutateur de ventilateur auto-on (ventilateur automatique activé) à la position "O" (capteur désactivé). Le commutateur se trouve derrière les filtres. Voir "Filtres métalliques" dans cette section pour retirer les filtres.

Une fois le nettoyage ou l'entretien terminé, placer le commutateur de ventilateur auto-on (ventilateur automatique activé) à la position "I" (capteur activé).



A. Commutateur de ventilateur auto-on (illustré à la position Off [arrêt])

Surfaces externes :

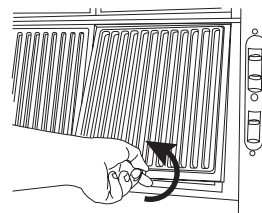
Pour éviter d'endommager la surface externe, ne pas utiliser de tampon de laine d'acier ou de tampon à récurer savonneux. Frotter dans la direction du grain pour éviter d'égratigner la surface.

Toujours essuyer pour éviter de laisser des traces d'eau.

- Nettoyant et poli pour acier inoxydable.
- Détergent liquide doux et eau.
- Frotter avec un chiffon doux et humide ou une éponge non abrasive, puis rincer avec de l'eau propre et essuyer pour sécher.

Filtres métalliques :

Pour une installation avec décharge à l'extérieur, employer les 2 mains pour enlever les filtres. Tourner le bouton vers la gauche (dans le sens antihoraire) pour libérer le filtre. Répéter pour l'autre filtre.



Laver les filtres métalliques selon le besoin au lave-vaisselle ou avec une solution de détergent chaude.

Réinstaller le filtre en plaçant le bord arrière dans la rainure à l'arrière de la hotte. Pousser le filtre pour la mise en place; faire tourner le bouton vers la droite (dans le sens horaire) pour la fixation sur la hotte. Répéter pour l'autre filtre.

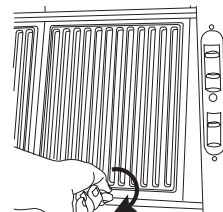
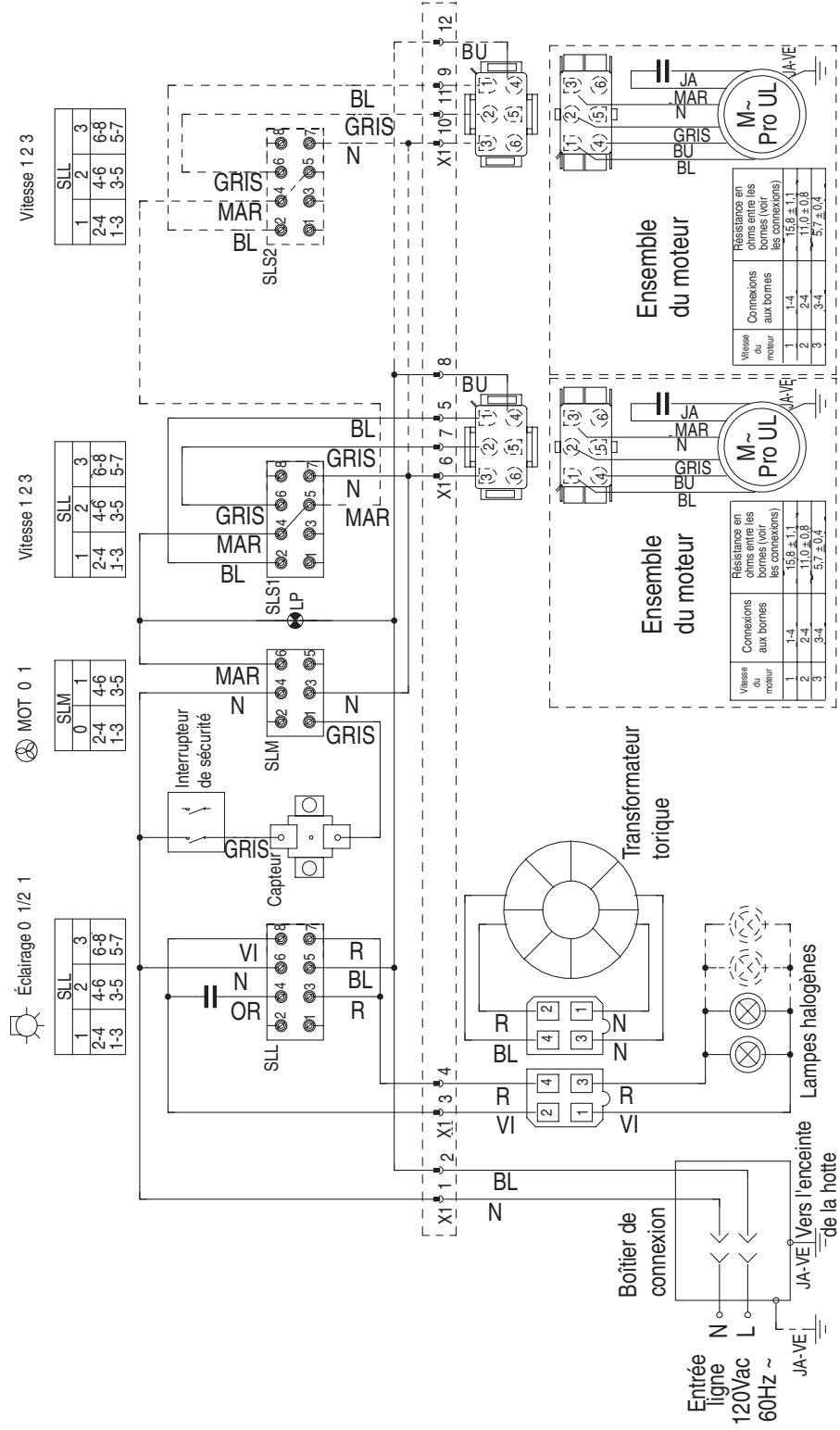


SCHÉMA DE CÂBLAGE



ASSISTANCE OU SERVICE

Lors d'un appel pour assistance ou service, veuillez connaître la date d'achat, le numéro de modèle et le numéro de série au complet de l'appareil. Ces renseignements nous aideront à mieux répondre à votre demande.

Si vous avez besoin de pièces de rechange

Si vous avez besoin de commander des pièces de rechange, nous vous recommandons d'employer uniquement des pièces spécifiées par l'usine. Les pièces spécifiées par l'usine conviendront et fonctionneront bien parce qu'elles sont fabriquées avec la même précision utilisée dans la fabrication de chaque nouvel appareil. Pour localiser des pièces spécifiées par l'usine dans votre région, nous appeler ou téléphoner au centre de service désigné le plus proche.

Au Canada

Veuillez appeler sans frais le Centre pour l'expérience de la clientèle de KitchenAid Canada au : **1-800-807-6777**.

Nos consultants vous renseigneront sur les sujets suivants :

- Caractéristiques et spécifications sur toute notre gamme d'appareils électroménagers.
- Consignes d'utilisation et d'entretien.
- Vente d'accessoires et de pièces de rechange.

- Références aux marchands locaux, aux distributeurs de pièces de rechange et aux compagnies de service. Les techniciens de service désignés par KitchenAid Canada sont formés pour remplir la garantie des produits et fournir un service après la garantie, partout au Canada.

Pour plus d'assistance

Si vous avez besoin de plus d'assistance, vous pouvez soumettre par écrit toute question ou préoccupation à KitchenAid Canada à l'adresse suivante :

Centre pour l'expérience de la clientèle
KitchenAid Canada
1901 Minnesota Court
Mississauga, Ontario L5N 3A7

Veuillez inclure dans votre correspondance un numéro de téléphone où l'on peut vous joindre dans la journée.

Accessoires

Ensemble d'extension de cheminée

Commander la pièce numéro W10197713 Acier inoxydable

Raccord de conduit (transition - diam. 6" (15,2 cm) X 2 à diam. 10" (25,4 cm) X 1)

Commander la pièce numéro 4396915

GARANTIE DU SYSTÈME DE VENTILATION KITCHENAID®

GARANTIE LIMITÉE

Pendant un an à compter de la date d'achat, lorsque ce gros appareil ménager est utilisé et entretenu conformément aux instructions jointes à ou fournies avec le produit, la marque KitchenAid de Whirlpool Corporation ou Whirlpool Canada LP (ci-après désignées "KitchenAid") paiera pour les pièces spécifiées par l'usine et la main-d'œuvre pour corriger les vices de matériaux ou de fabrication. Le service doit être fourni par une compagnie de service désignée par KitchenAid. Cette garantie limitée est valide uniquement aux États-Unis ou au Canada et s'applique exclusivement lorsque l'appareil est utilisé dans le pays où il a été acheté. À l'extérieur du Canada et des 50 États des États-Unis, cette garantie limitée ne s'applique pas. Une preuve de la date d'achat original est exigée pour obtenir un service dans le cadre de la présente garantie limitée.

ARTICLES EXCLUS DE LA GARANTIE

La présente garantie limitée ne couvre pas :

1. Les visites de service pour rectifier l'installation du gros appareil ménager, montrer à l'utilisateur comment utiliser l'appareil, remplacer ou réparer des fusibles ou rectifier le câblage ou la plomberie du domicile.
 2. Les visites de service pour réparer ou remplacer les ampoules électriques de l'appareil, les filtres à air ou les filtres à eau. Les pièces consommables ne sont pas couvertes par la garantie.
 3. Les réparations lorsque le gros appareil ménager est utilisé à des fins autres que l'usage unifamilial normal ou lorsque les instructions d'installation et/ou les instructions de l'opérateur ou de l'utilisateur fournies ne sont pas respectées.
 4. Les dommages imputables à : accident, modification, usage impropre ou abusif, incendie, inondation, actes de Dieu, installation fautive ou installation non conforme aux codes d'électricité ou de plomberie, ou l'utilisation de pièces consommables ou de produits nettoyants non approuvés par KitchenAid.
 5. Les défauts apparents, notamment les éraflures, les bosses, fissures ou tout autre dommage au fini du gros appareil ménager, à moins que ces dommages soient dus à des vices de matériaux ou de fabrication et soient signalés à KitchenAid dans les 30 jours suivant la date d'achat.
 6. Les coûts associés au transport du gros appareil ménager du domicile pour réparation. Ce gros appareil ménager est conçu pour être réparé à domicile et seul le service à domicile est couvert par la présente garantie.
 7. Les réparations aux pièces ou systèmes résultant d'une modification non autorisée faite à l'appareil.
 8. Les frais de transport pour le service d'un produit si votre gros appareil est situé dans une région éloignée où un service d'entretien KitchenAid autorisé n'est pas disponible.
 9. La dépose et la réinstallation de votre gros appareil si celui-ci est installé dans un endroit inaccessible ou n'est pas installé conformément aux instructions d'installation fournies.
 10. Les gros appareils ménagers dont les numéros de série et de modèle originaux ont été enlevés, modifiés ou qui ne peuvent pas être facilement identifiés. La présente garantie est nulle si le numéro de série d'usine a été modifié ou enlevé du gros appareil ménager.
- Le coût d'une réparation ou d'un remplacement dans le cadre de ces circonstances exclues est à la charge du client.

CLAUSE D'EXONÉRATION DE RESPONSABILITÉ AU TITRE DES GARANTIES IMPLICITES; LIMITATION DES RECOURS

LE SEUL ET EXCLUSIF RECOURS DU CLIENT DANS LE CADRE DE LA PRÉSENTE GARANTIE LIMITÉE CONSISTE EN LA RÉPARATION PRÉVUE CI-DESSUS. LES GARANTIES IMPLICITES, Y COMPRIS LES GARANTIES APPLICABLES DE QUALITÉ MARCHANDE ET D'APTITUDE À UN USAGE PARTICULIER, SONT LIMITÉES À UN AN OU À LA PLUS COURTE PÉRIODE AUTORISÉE PAR LA LOI. KITCHENAID N'ASSUME AUCUNE RESPONSABILITÉ POUR LES DOMMAGES FORTUITS OU INDIRECTS. CERTAINES JURIDICTIONS NE PERMETTENT PAS L'EXCLUSION OU LA LIMITATION DES DOMMAGES FORTUITS OU INDIRECTS, OU LES LIMITATIONS DE LA DURÉE DES GARANTIES IMPLICITES DE QUALITÉ MARCHANDE OU D'APTITUDE À UN USAGE PARTICULIER, DE SORTE QUE CES EXCLUSIONS OU LIMITATIONS PEUVENT NE PAS S'APPLIQUER DANS VOTRE CAS. CETTE GARANTIE VOUS CONFÈRE DES DROITS JURIDIQUES SPÉCIFIQUES ET VOUS POUVEZ ÉGALEMENT JOUIR D'AUTRES DROITS QUI PEUVENT VARIER D'UNE JURIDICTION À UNE AUTRE.

À l'extérieur du Canada et des 50 États des États-Unis, cette garantie ne s'applique pas. Contactez votre marchand KitchenAid autorisé pour déterminer si une autre garantie s'applique.

Si vous avez besoin de service, voir d'abord la section "Dépannage" du Guide d'utilisation et d'entretien. Après avoir vérifié la section "Dépannage", de l'aide supplémentaire peut être trouvée en vérifiant la section "Assistance ou service" ou en appelant KitchenAid. Aux É.-U., composer le **1-800-422-1230**. Au Canada, composer le **1-800-807-6777**. 2/09

Conservez ce manuel et votre reçu de vente ensemble pour référence ultérieure. Pour le service sous garantie, vous devez présenter un document prouvant la date d'achat ou d'installation.

Inscrivez les renseignements suivants au sujet de votre gros appareil ménager pour mieux vous aider à obtenir assistance ou service en cas de besoin. Vous devrez connaître le numéro de modèle et le numéro de série au complet. Vous trouverez ces renseignements sur la plaque signalétique située sur le produit.

Nom du marchand _____

Adresse _____

Numéro de téléphone _____

Numéro de modèle _____

Numéro de série _____

Date d'achat _____

W10233971C
SP PN W10233974B

© 2009
All rights reserved.
Tous droits réservés.

® Registered Trademark/TM Trademark of KitchenAid, U.S.A., KitchenAid Canada licensee in Canada
© Marque déposée/TM Marque de commerce de KitchenAid, U.S.A., Emploi sous licence par KitchenAid Canada au Canada

3/09
Printed in Italy
Imprimé en Italie